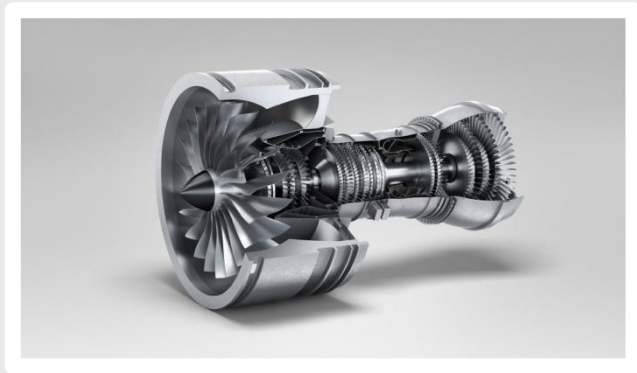


AEROSPACE

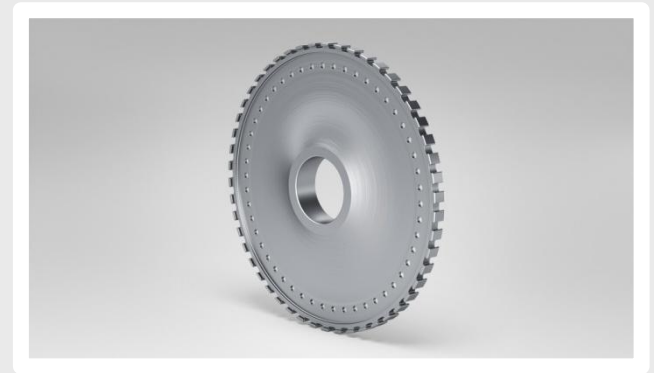
Engines



Engines



Engine housings



Turbine discs

Solutions for engines



Tiger-tec® Silver



03 Walter Tiger-tec® Silver Inserts



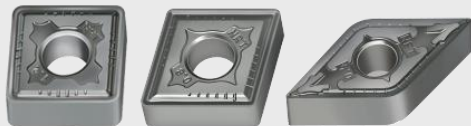
07 Walter Titex Alpha X-treme Plus



04 Walter Cut Capto™ Grooving Tools



08 Walter Prototyp Tap TI Plus



01 Walter Sky-tec™ Inserts



05 Walter Round Button Cutter F2334



09 Walter Prototyp Tap TI



02 Walter Whisker Ceramic WWS20



06 Walter Prototyp Protostar® Qmax

Solutions for engine housings



03 Walter Prototyp ConeFit™ Milling Tools



07 Walter Prototyp Protostar® Ti40



04 Walter Xtra-tec® Shoulder Mill F4042R



08 Walter Prototyp Protostar® HSC30



01 Walter Capto™ Turning Tools



05 Walter Xtra-tec® Slotting Cutter F4053



09 Walter Prototyp Tap TI



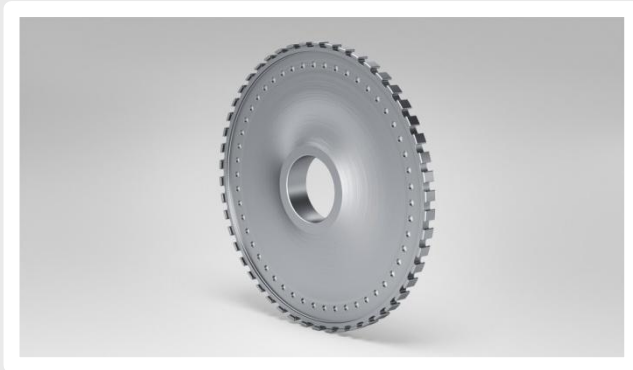
02 Walter Cut Capto™ Grooving Tools



06 Walter Titex X-treme Inox

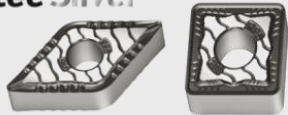


Solutions for turbine discs



01 Walter Whisker Ceramic WWS20

Tiger-tec® Silver



02 Walter Tiger-tec® Silver Inserts



03 Walter Capto™ / ISO Turning Holder



04 Walter Titex X-treme Inox



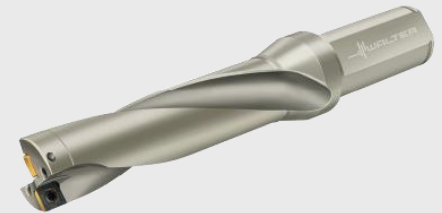
05 Walter Prototyp Protostar® N50



06 Walter Titex X-treme Plus



07 Walter Prototyp Root Form Cutter



08 Walter Xtra-tec® Insert Drill



09 Walter Cut Capto™ Grooving Tools