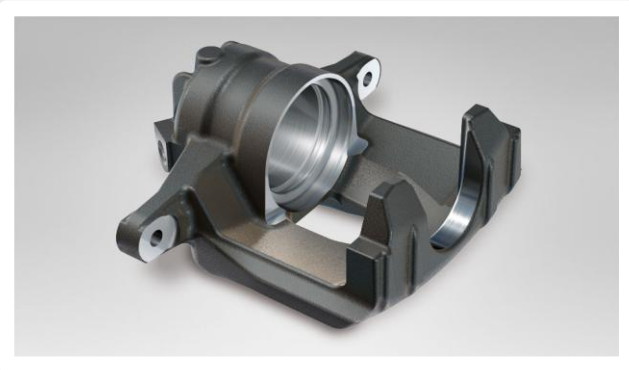
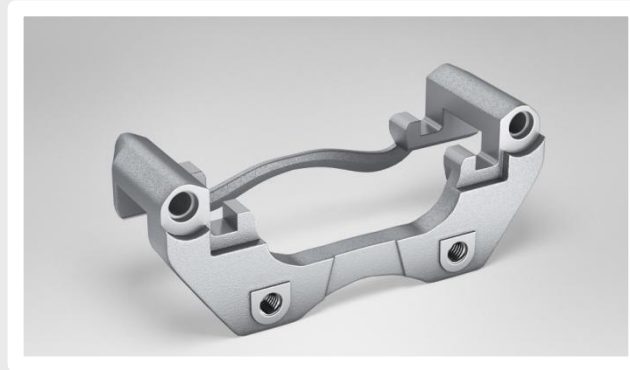


AUTOMOTIVE

Brake



Brake caliper



Brake carrier



ABS-housings

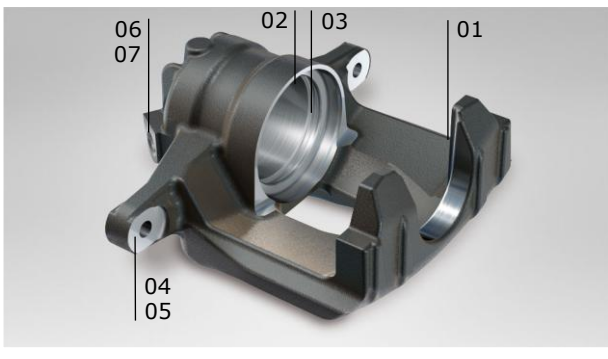
Solutions for Brake caliper



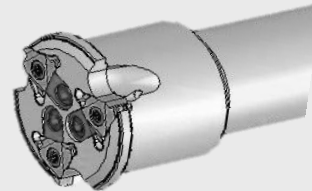
02 Walter countersinking and boring tool with diameter adjustment for main hole machining



05 Walter Titex back-chamfering drill for drilling and double-side chamfering of fixing eyelet holes



01 Walter side and face milling cutter with Tiger-tec® inserts and tangential/lateral design für disc clearance milling



03 Walter form milling cutter for circular milling operation of seal groove



06 Walter Titex X-treme-drill for core hole drilling



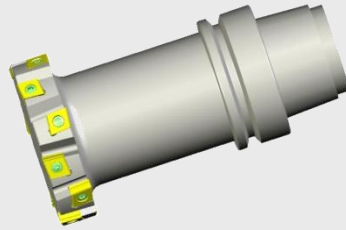
07 Walter Prototyp Paradur ECO-CI tap for connecting threads



04 Walter gang mill cutter for machining of fixing eyelets



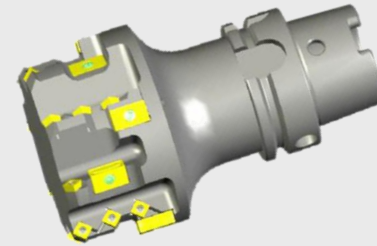
Solutions for Brake carrier



02 Walter side and face milling cutter with Tiger-tec® inserts for slot milling



05 Walter Titex X-treme-drill for drilling of guide bores



03 Walter form milling cutter to finish guide faces and chamfers



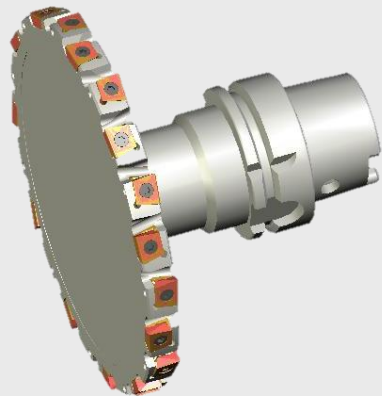
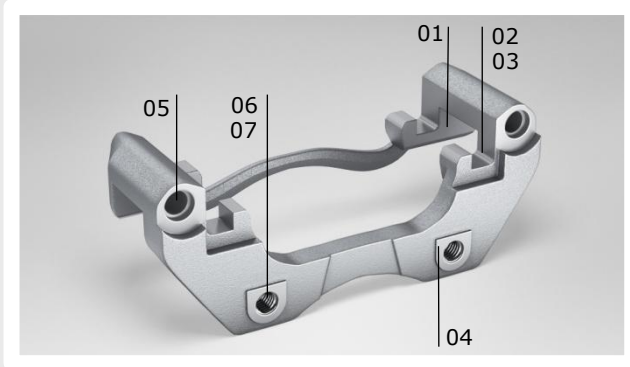
06 Walter Titex step drill for core hole drilling



04 Xtra-tec® surface milling cutter F4048 with Tiger-tec® Silver inserts for machining of connecting surfaces

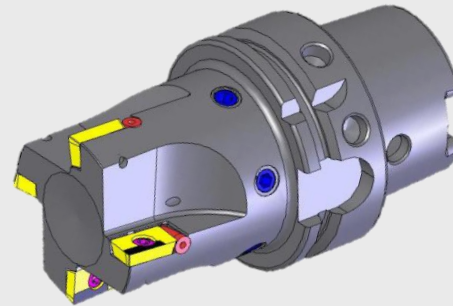
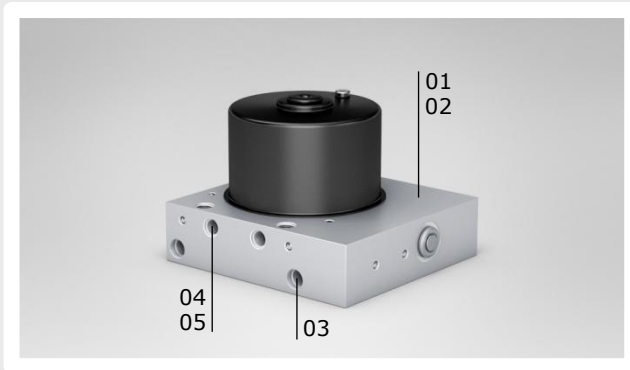


07 Walter Prototyp Paradur ECO-CI tap for connecting threads



01 Walter side and face milling cutter with Tiger-tec® inserts for disc clearance milling

Solutions for ABS-housings



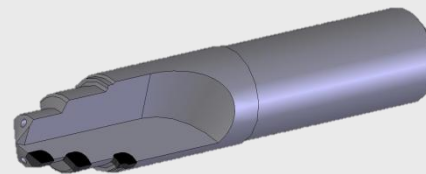
02 Walter shoulder mill with PCD-indexable inserts and adjustable axial runout for milling of faces and shoulders



04 Walter Titex solid carbide drills to drill hydraulic holes and connecting bores



01 Walter PCD-surface milling cutter F4050 with indexable cutting inserts to semi-finish/finish faces



03 Walter PCD boring tool to countersink step holes and connecting bores



05 Walter Prototyp forming tap to produce connecting threads