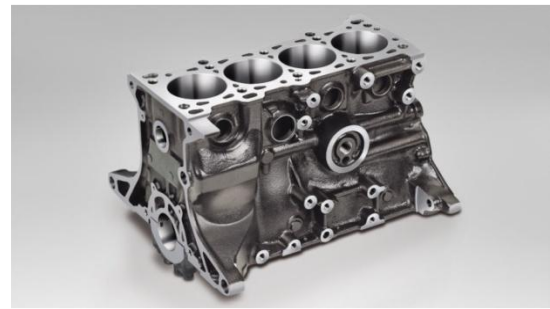


AUTOMOTIVE

Engines



Crankcases



Cylinder head



Crankshafts

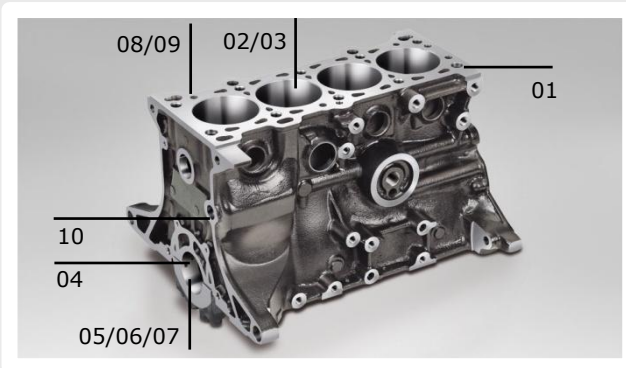


Camshafts



Conrods

Solutions for crankcases – cast iron



03 Walter Modco Motion tool for cylinder bore finish



06 Walter side/face milling cutter for cheek/thrust face with Tigertec Silver inserts



04 Walter ball nose cutter for crank halfbore



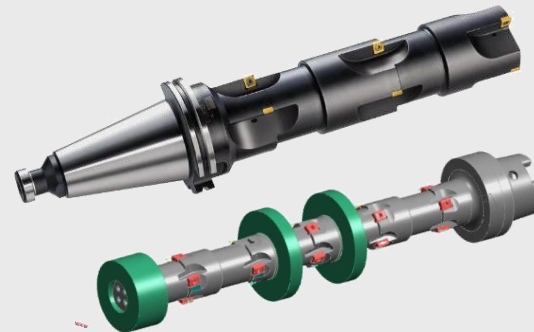
07 Walter guide pad boring bar to finish crankshaft bore



01 Walter Surface milling cutter – Xtra-tec® F4045 with Tiger-tec® Silver inserts



02 Walter milling/boring tool for cylinderbore including hone relief



05 Walter boring bar for crank halfbore



08 Walter X-treme drill for flange holes



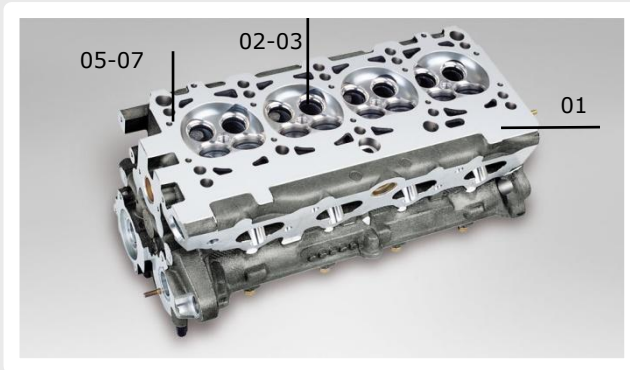
09 Walter Prototyp Taps for flange threads



10 Walter XD drill for oil holes



Solutions for cylinder head - Aluminium



02 Walter PCD boring bar to rough parent metal bore



05 Walter Titex Alpha@Jet for holes



03 Walter boring tool for valve-guide and seat



06 Walter Prototyp Taps and Formers for threads



01 Walter PCD Face mill to semi-finish/finish faces

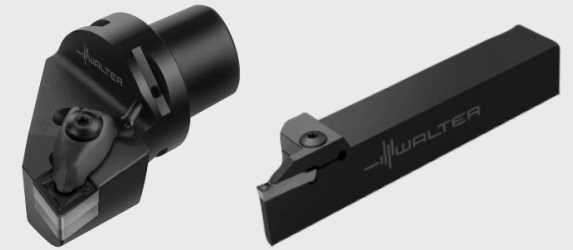
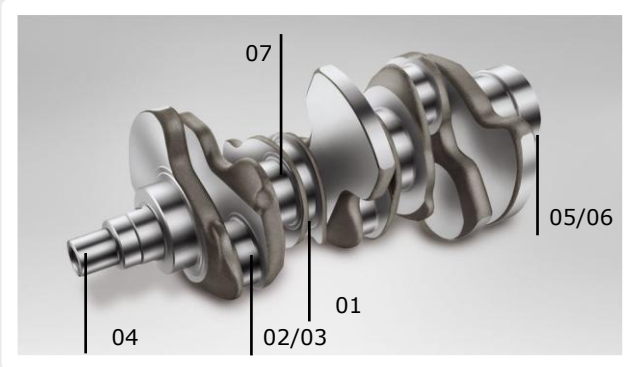


04 Walter Milling tool for camshaft halfbore



07 Walter Titex XD drill for oil holes

Solutions for crankshafts



02 OD Milling cutter for mains and pins

04 Walter Turning tools with Tiger-tec® Silver inserts for ends and steady rest



05 Walter Titex X-treme drill for flange holes



03 ID Milling cutter for mains and pins



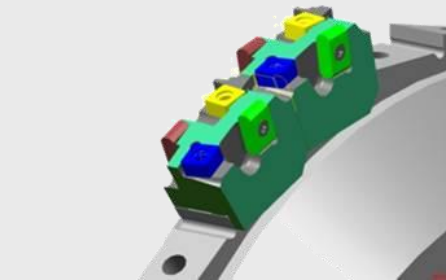
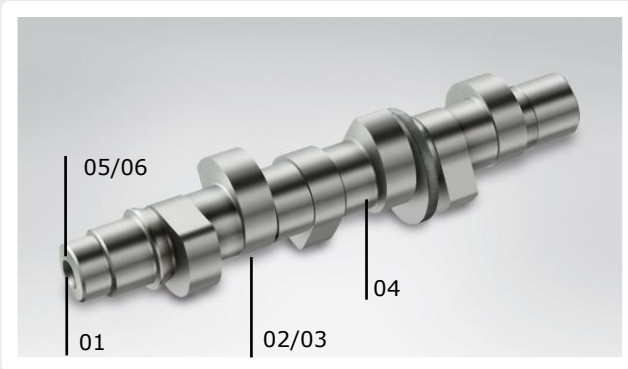
06 Walter Prototyp Taps and Formers for flange threads



07 Walter XD drill for oil holes

01 Walter Turn-Turn-broaching for mains

Solutions for camshafts

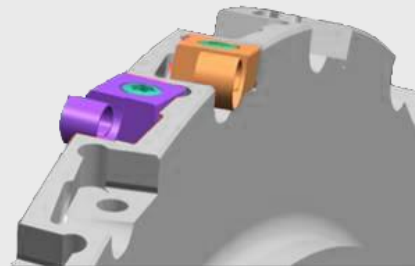


02 Milling cutter cartridge design for cams

04 Walter Turning tools with Tiger-tec® Silver inserts for ends/steady rest



01 Walter Surface milling cutter – Xtra-tec® F4033 with Tigertec Silver inserts



03 Milling cutter fix pocket design for cams

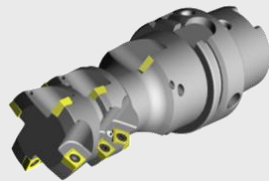
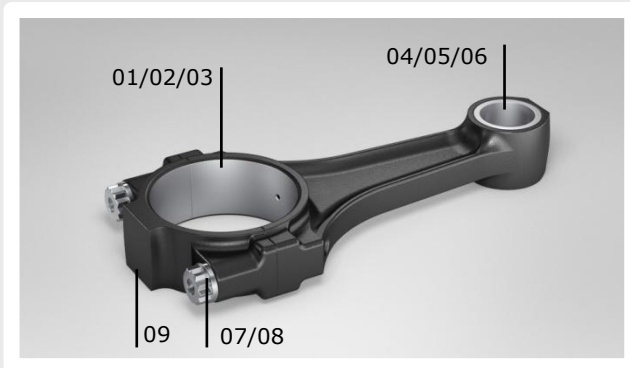


05 Walter Titex X-treme drill for flange holes

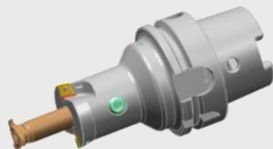


06 Walter Prototyp Taps and Formers for flange threads

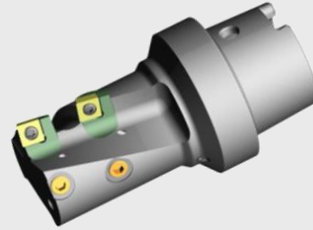
Solutions for conrods



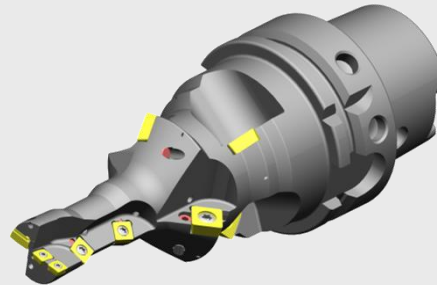
01 Walter boring bar for roughing, semi-finishing and chamfering of big eye



02 Walter Milling/Boring tool to semi-finish big eye and mill slot



03 Walter boring bar to finish big eye



04 Walter drill for small eye



05 Walter chamfer tool for small eye



06 Walter boring bar to finish small eye



07 Walter Titex X-treme drill for screw holes



08 Walter Prototyp Taps and Formers for screw holes



09 Walter Milling tool to adjust weight after machining