

# AUTOMOTIVE

## Injectionsystem



Injection pump

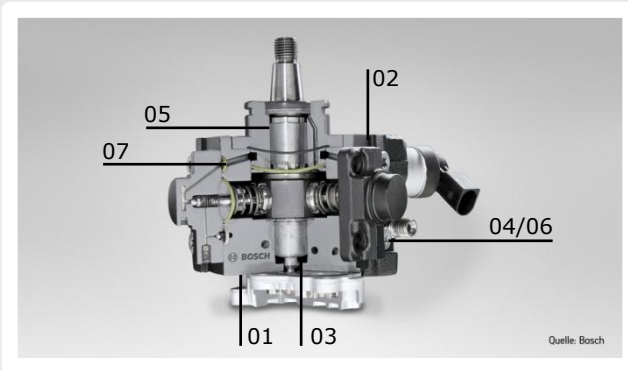


Injector



Rail

# Solutions für Injection pump



**02** Tangential shoulder mill Walter BLAXX with Tiger-tec® Silver inserts for precision machining of 90° shoulders



**04** Walter X-treme drill for machining of connecting holes and core holes



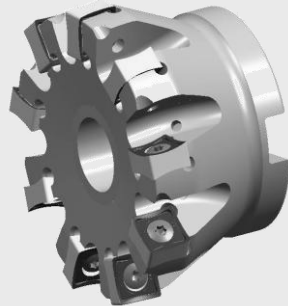
**05** Walter Titex solid carbide reamer for high precision holes



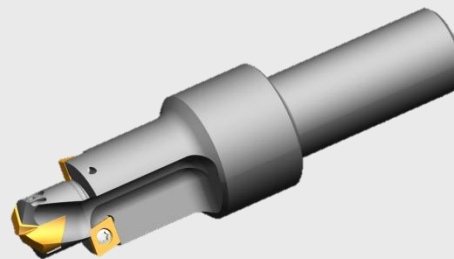
**06** Walter Prototyp tap drill for fixing and connecting threads



**07** Walter XD-Technology for deep hole drilling

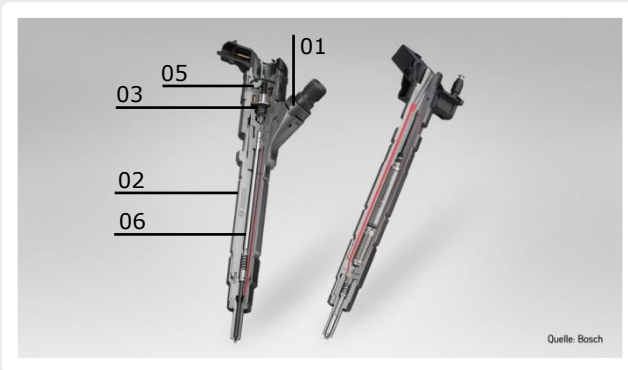


**01** Walter surface milling cutter F4048 with Tiger-tec® Silver inserts



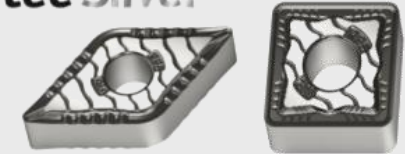
**03** Step drill with insert – according to workpiece dimensions

# Solutions for Injector



**02** Walter Turning tools with Tiger-tec® Silver inserts

**Tiger-tec® Silver**



**04** Walter inserts in several Tiger-tec® Silver cutting grades and matched chip breaking geometries



**01** Tangential shoulder mill Walter BLAXX with Tiger-tec® Silver inserts to mill high pressure connection surfaces



**03** Walter Turning tools for internal turning with Tiger-tec® Silver inserts

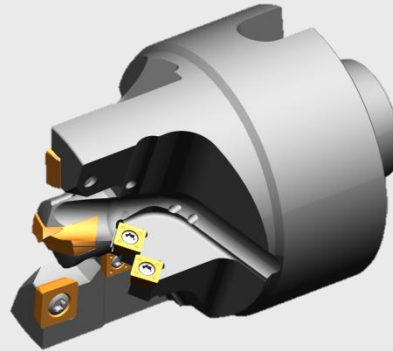
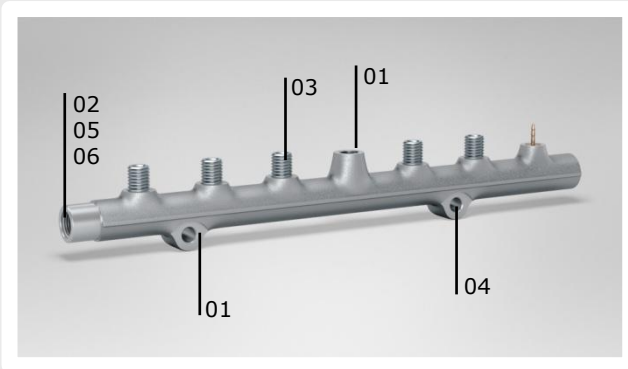


**05** Walter Prototyp forming tap to produce connecting threads



**06** Walter XD-Technologie for deep hole drilling

# Solutions for Distributor pipe / Rail



**02 Type „A“** Combination tool to machine axial connections: Drilling, countersinking and chamfering in one step



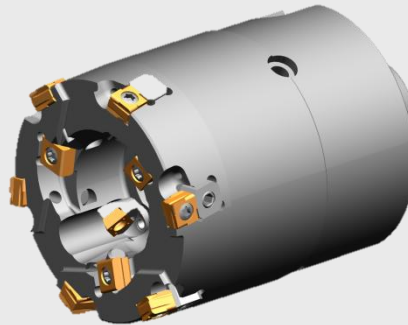
**03** Walter Prototyp thread mill for precise connecting threads



**04** Walter X-treme drill for machining of fixing holes



**01** Tangential shoulder mill Walter BLAXX with Tiger-tec® Silver inserts to mill fixing and connecting surfaces



**02 Type „B“** Hollow mill to machine axial connection: Surface milling, countersinking and chamfering in one step



**05** Walter Prototyp forming tap to produce the axial connecting threads



**06** Walter XD-Technology for deep hole drilling