

AUTOMOTIVE

Transmission

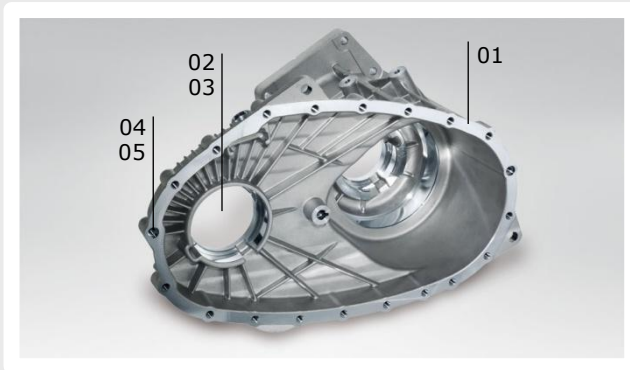


Gearbox



Shafts and wheels

Solutions for Gearbox - Aluminium



02 Walter PCD-boring tools for semi-finish/finishing of precision bores



04 Walter Titex solid carbide drills to drill connecting bores and core holes



01 Walter PCD-surface milling cutter F4050 with indexable inserts to semi-finish/finish faces



03 Walter PCD-form milling cutter to mill several faces and diameters in one step

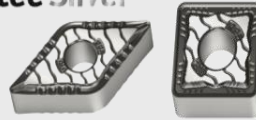


05 Walter Prototyp forming tap to for connecting threads

Solutions for Shafts and wheels



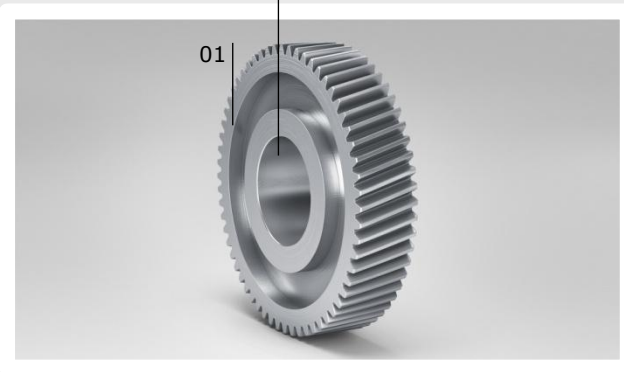
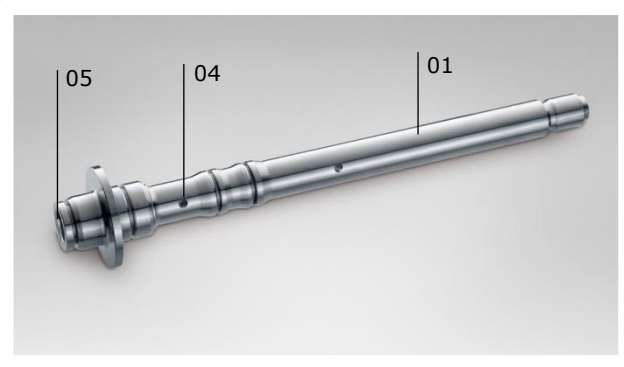
Tiger-tec®Silver



01 Walter Turning tools with Tiger-tec® Silver inserts



02 Walter Turning tools for internal turning with Tiger-tec® Silver inserts



03 Walter Prototyp form milling head for slot milling



04 Walter Titex solid carbide drill for oil holes



05 Walter Titex XD-Technology for oil holes

