

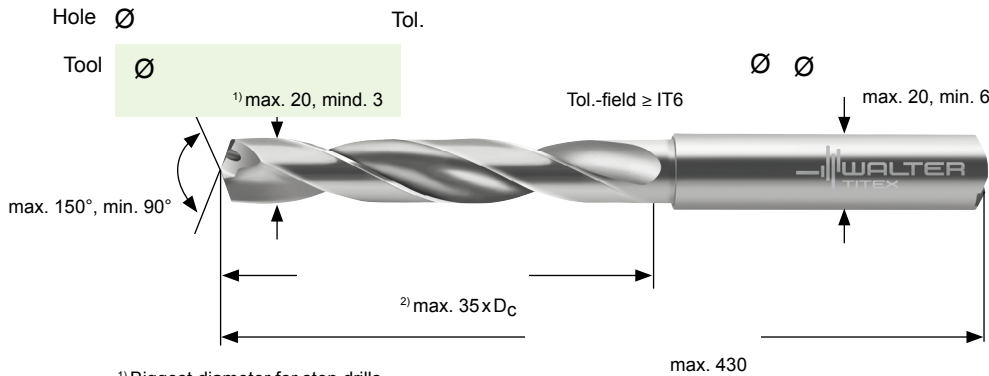
Company	Customer No.
Contact person	
Address	
Country	
Phone	Fax
E-Mail	

To:  
**Walter Sales company**

**Quantities:** Shank-Ø to 12 mm max. 50 pieces, Shank-Ø bis 16 mm max. 30 pieces  
Shank-Ø bis 18 mm max. 20 pieces

<b>All length and diameter measures in mm</b>  <b>Workpiece material:</b>  <b>Drilling depth:</b>	<b>Hole type:</b> 	<b>Coolant:</b>  internal  external  dry	<b>Shank acc. to DIN 6535:</b>  HA HE HB	<b>MQL/MMS:</b> elliptic shape  round shape rectangular shape  V-shape DIN69090-3  without 
---	-----------------------	--	--	---

**Dimensions:**

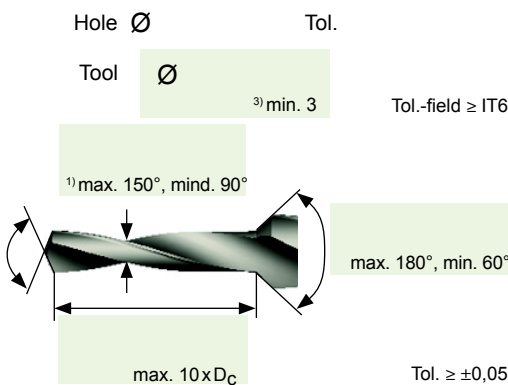


<sup>1)</sup> Biggest diameter for step drills  
<sup>2)</sup> Possible length dimensions for step drills max. 12xD with CATexpress

**Product families:**

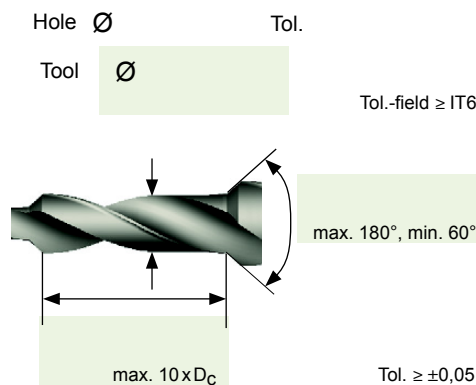
- DC170
- X:treme Plus
- X:treme
- Alpha Jet
- XD Pilot
- X:treme Pilot 180
- Alpha 4XD
- X:treme DH

**1. Step<sup>4)</sup>**



<sup>3)</sup> Maximum 50 % diameter difference between big and smallest diameter on the tool are allowed

**2. Step<sup>5)</sup>**



<sup>4)</sup> Smallest diameter for step drills  
<sup>5)</sup> Medium diameter for step drills

**Coating:**

- DPL (X:treme Plus)
- XPL
- TFP
- TFT
- TFL
- TIP
- TIN
- without

**Comments:**

Shipment of the tools within 2 weeks (X:treme Plus within 3 weeks) from Germany. Additional information about Walter Xpress you will find at [www.walter-tools.com](http://www.walter-tools.com)

**All green and bold highlighted input fields are mandatory fields to design the special tool. The other input fields are optional.**