

Distributor	Distributor No.	Contact Person
Customer	Customer No.	Contact Person
E-mail	Telephone	Fax
FSE Name	Inquiry Date	Expected Date of Quote

Submit To: **Walter USA**

Industry:

Automotive
 Energy
 Aerospace
 General
 Railway

Quantity: 1 2 3 4 5 10 20 *The price for 1 piece will be equivalent to the price for 2 pieces.

Data – Workpiece:

Workpiece material:

Drilling depth:
max. drilling depth 5 × D_{C1}

- All length and diameter measurements are in mm.
- If possible, add drawings of unmachined and machined part.
- You will receive a prompt reply, after we have assessed the technical feasibility of your inquiry.

Type and Dimension – Tool:

Ø₁ =

Point Drill

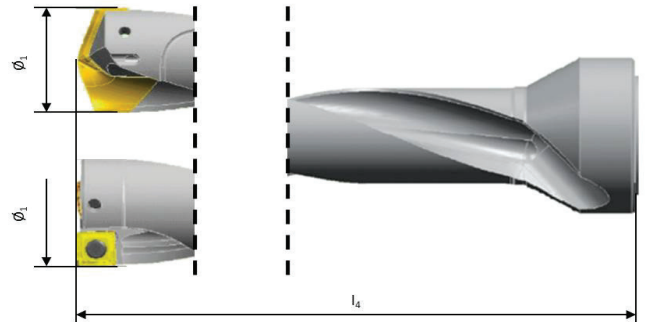
Ø_{1. min} = 12.00 mm
 Ø_{1. max} = 31.99 mm

l₄ =

Insert Drill

Ø_{1. min} = 16.50 mm
 Ø_{1. max} = 59.00 mm

Limit: l₄ ≤ 300 mm



Shank:

<p>SK / CAT</p> <p>SK DIN 69871, Form AD</p> <p><input type="checkbox"/> 30 <input type="checkbox"/> 45</p> <p><input type="checkbox"/> 40 <input type="checkbox"/> 50</p> <p>CAT</p> <p><input type="checkbox"/> 40 <input type="checkbox"/> 50</p> <p><input type="checkbox"/> 45</p>	<p>HSK</p> <p>DIN 69893, Form A</p> <p><input type="checkbox"/> 40</p> <p><input type="checkbox"/> 50</p> <p><input type="checkbox"/> 63</p> <p><input type="checkbox"/> 80</p> <p><input type="checkbox"/> 100</p>	<p>CAPTO</p> <p><input type="checkbox"/> C3</p> <p><input type="checkbox"/> C4</p> <p><input type="checkbox"/> C5</p> <p><input type="checkbox"/> C6</p>	<p>NCT</p> <p><input type="checkbox"/> 25</p> <p><input type="checkbox"/> 32</p> <p><input type="checkbox"/> 40</p> <p><input type="checkbox"/> 50</p> <p><input type="checkbox"/> 63</p> <p><input type="checkbox"/> 80</p>
--	--	---	---

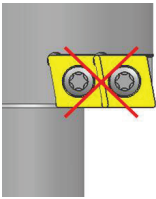
<p>Cylindrical Shank</p> <p>ISO 9766</p> <p>Clamping flat <input type="checkbox"/> Yes <input type="checkbox"/> No</p> <p>Clamping flat <input checked="" type="checkbox"/> Yes</p> <p>Metric <input type="checkbox"/> 20 <input type="checkbox"/> 40 <input type="checkbox"/> 25 <input type="checkbox"/> 50 <input type="checkbox"/> 32</p> <p>Inch <input type="checkbox"/> 0.750 <input type="checkbox"/> 1.500 <input type="checkbox"/> 1.000 <input type="checkbox"/> 2.000 <input type="checkbox"/> 1.250</p>	<p>ScrewFit</p> <p><input type="checkbox"/> T14</p> <p><input type="checkbox"/> T18</p> <p><input type="checkbox"/> T22</p> <p><input type="checkbox"/> T28</p> <p><input type="checkbox"/> T36</p> <p><input type="checkbox"/> T45</p>
---	--

Additional notes:

Shipment of the tool within 3 weeks after the receipt of the signed drawing approval and purchase order. You will find additional information about Walter Xpress at www.walter-tools.com/us

All green highlighted fields are mandatory fields to design the special tool. The other input fields are optional.

- Multiple inserts on same cutting plane not possible.



- Number of teeth ($z_{min}=1$; $z_{max}=2$) of boring steps will be adapted to task.

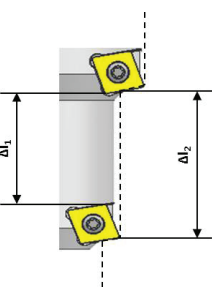
- Design limits diameter 1 to diameter 2.

Size of Insert	Range of Diameter		Δl_1 (min)	Δl_2 (min)
	$\varnothing_{1, min}$	$\varnothing_{1, max}$		
2R	16.5	20.5	5	11.2
3R	20.5	24.5	5	12.4
4R	24.5	29.5	5	13.6
5R	29.5	35.5	5	15.5
6R	35.5	42.5	5	17.6
7R	42.5	50.5	5	20.1
8R	50.5	59.5	5	22.5

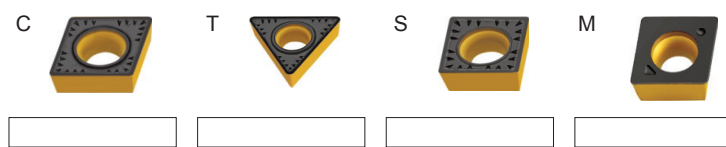
- Design limits diameter 1 to diameter 2.

Range of Diameter		Δl_1 (min)	Δl_2 (min)
$\varnothing_{1, min}$	$\varnothing_{1, max}$		
12	14	5	16.6
14	16	5	18.3
16	18	5	20.5
18	20	5	22.2
20	22	5	24.4
22	24	5	26.1
24	26	5	27.7
26	28	5	29.5
28	30	5	31.7
30	32	5	33.9

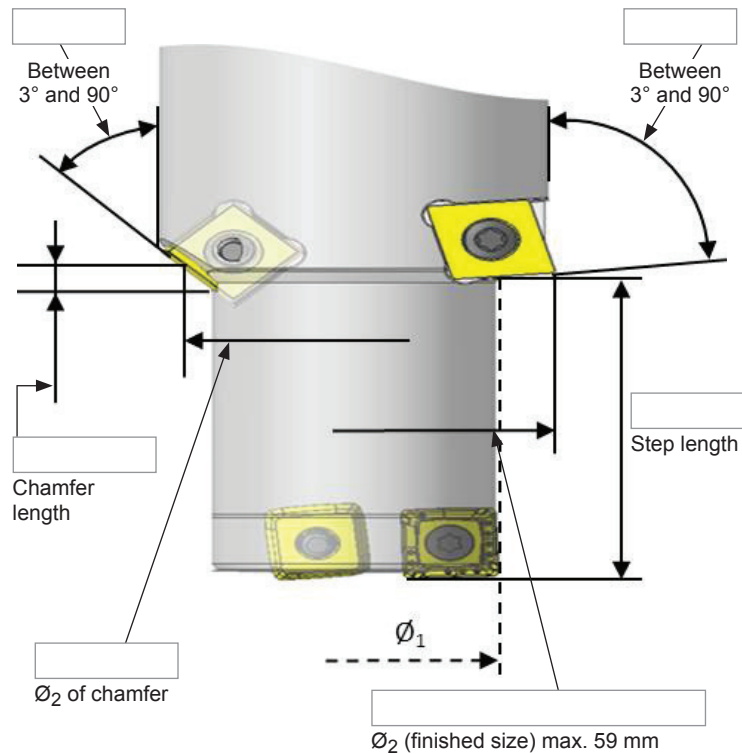
- Design limits diameter 2 to diameter 3
 $\Delta l_1 \geq 5\text{mm}$ and $\Delta l_2 \geq 10\text{mm}$.



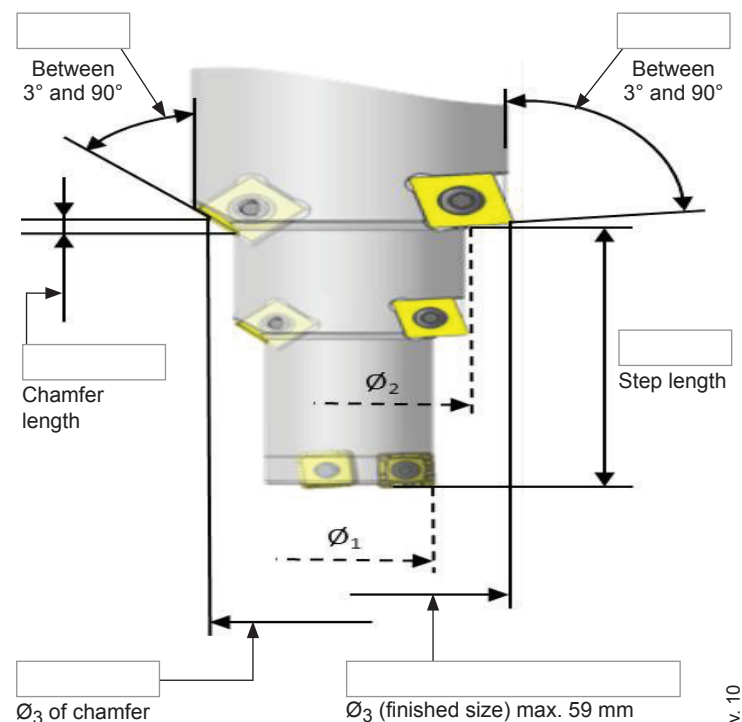
Preferred Insert:



Diameter 2 / Step 2 Geometry:



Diameter 3 / Step 3 Geometry:



If the tool cannot be processed as a Walter Xpress tool, it will be processed as special tool with longer delivery time.

Additional notes:

Shipment of the tool within 3 weeks after the receipt of the signed drawing approval and purchase order. You will find additional information about Walter Xpress at www.walter-tools.com/us

All green highlighted fields are mandatory fields to design the special tool. The other input fields are optional.